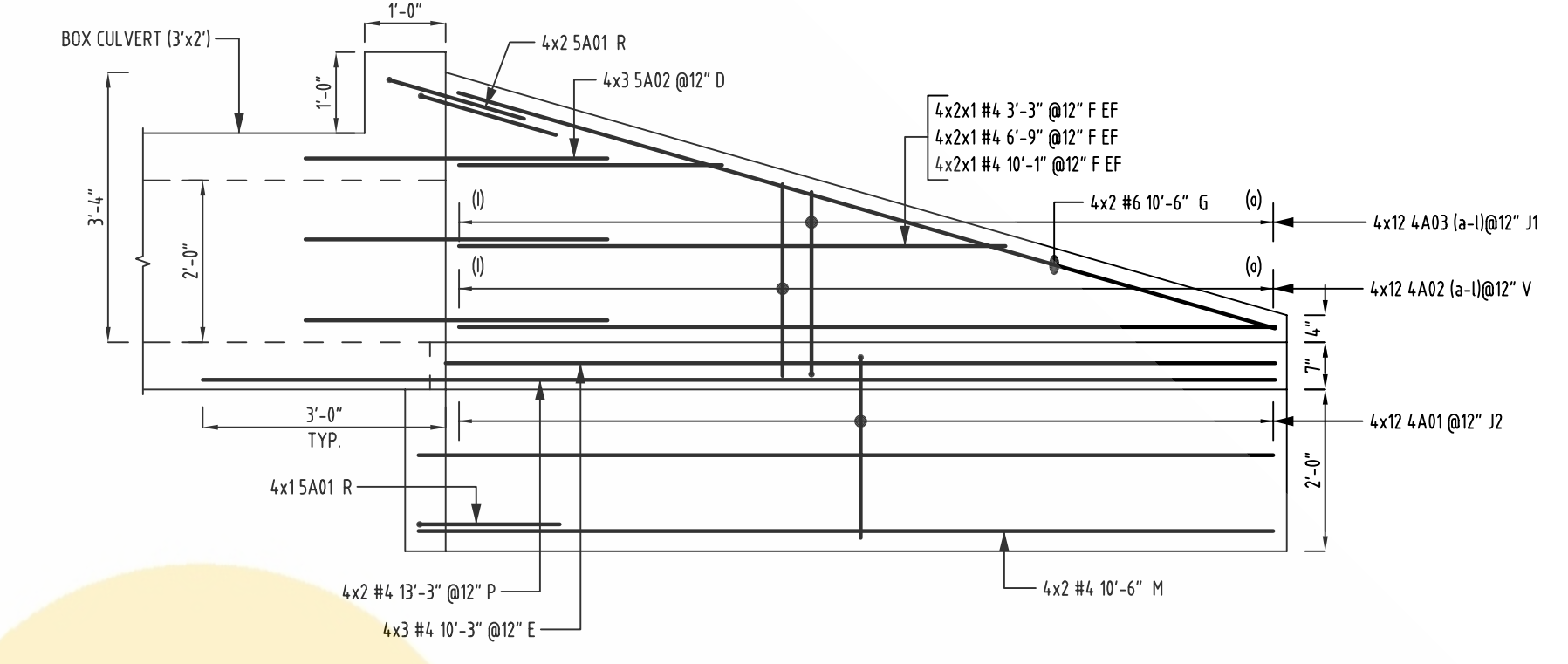
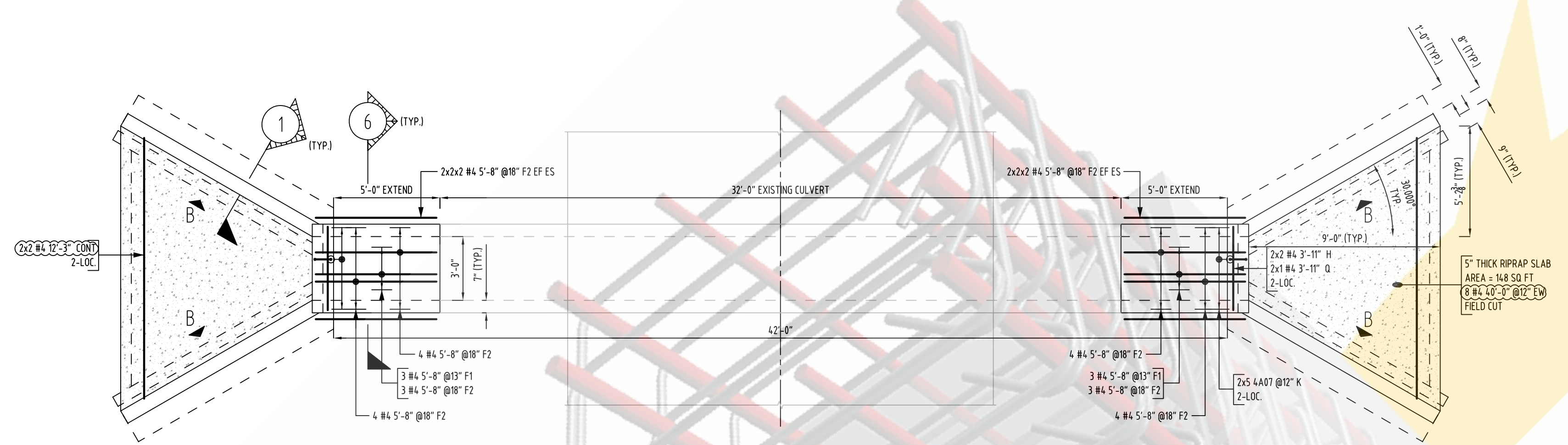


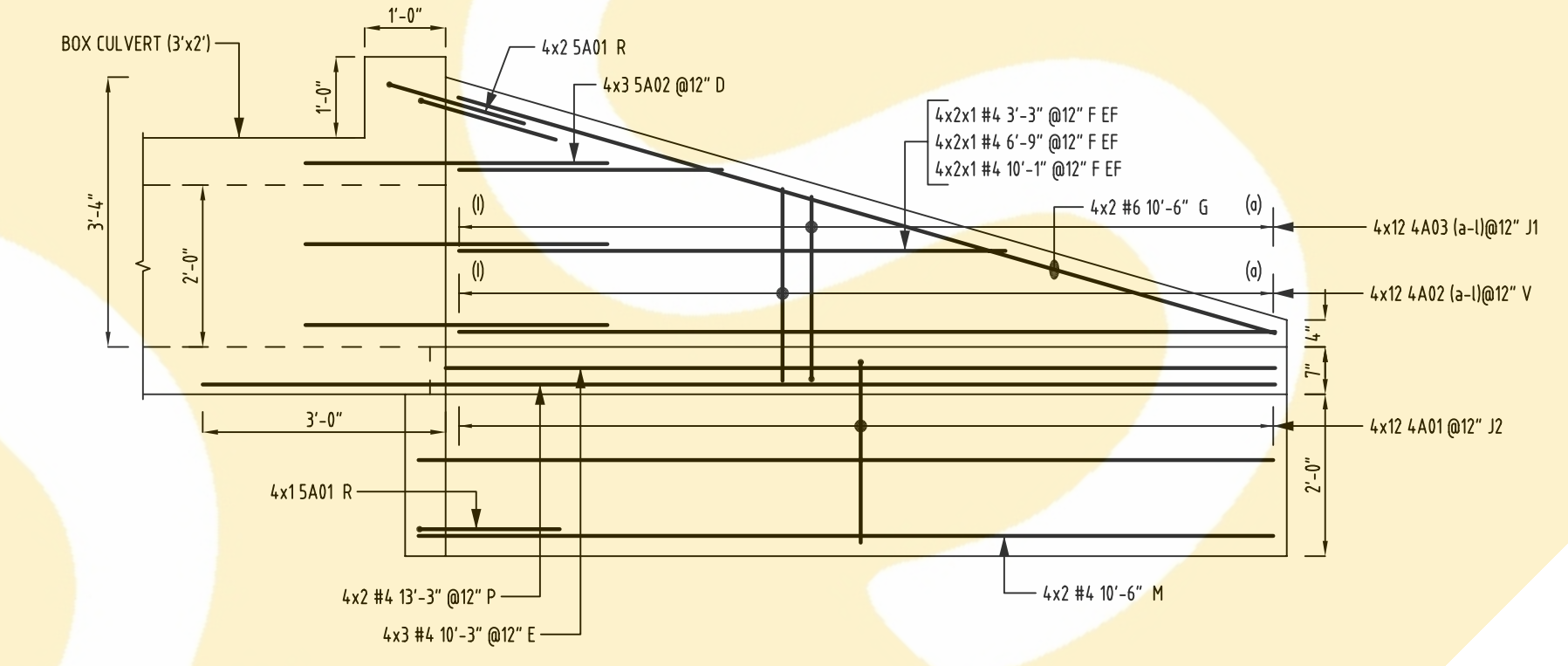
BOX CULVERT STANDARD = SCC-384  
 WINGWALL STANDARD = FW-0  
**CULVERT REBAR LAYOUT - STATION 66+95**  
 SCALE: 1/4"=1'-0"  
 SDR: 1 OF 8



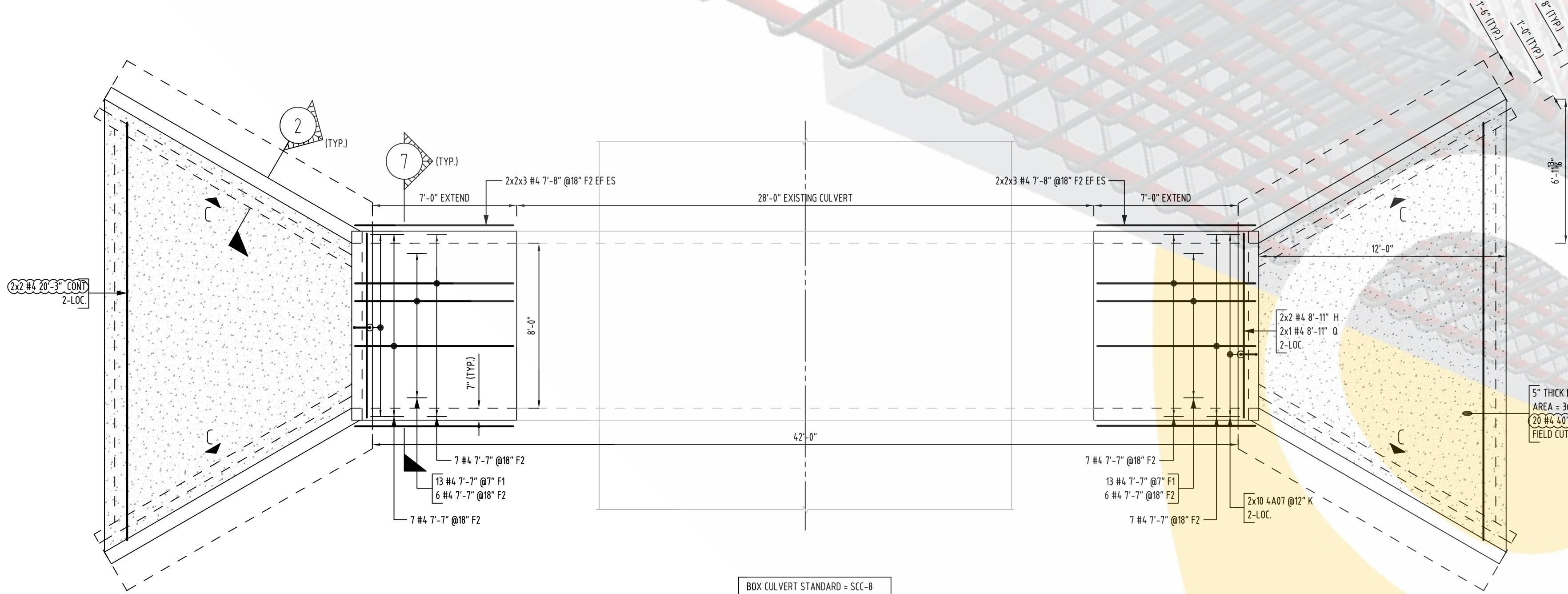
**ELEVATION A**  
 SCALE: 1/2"=1'-0"  
 SDR: FW-0  
 (A-LOC)



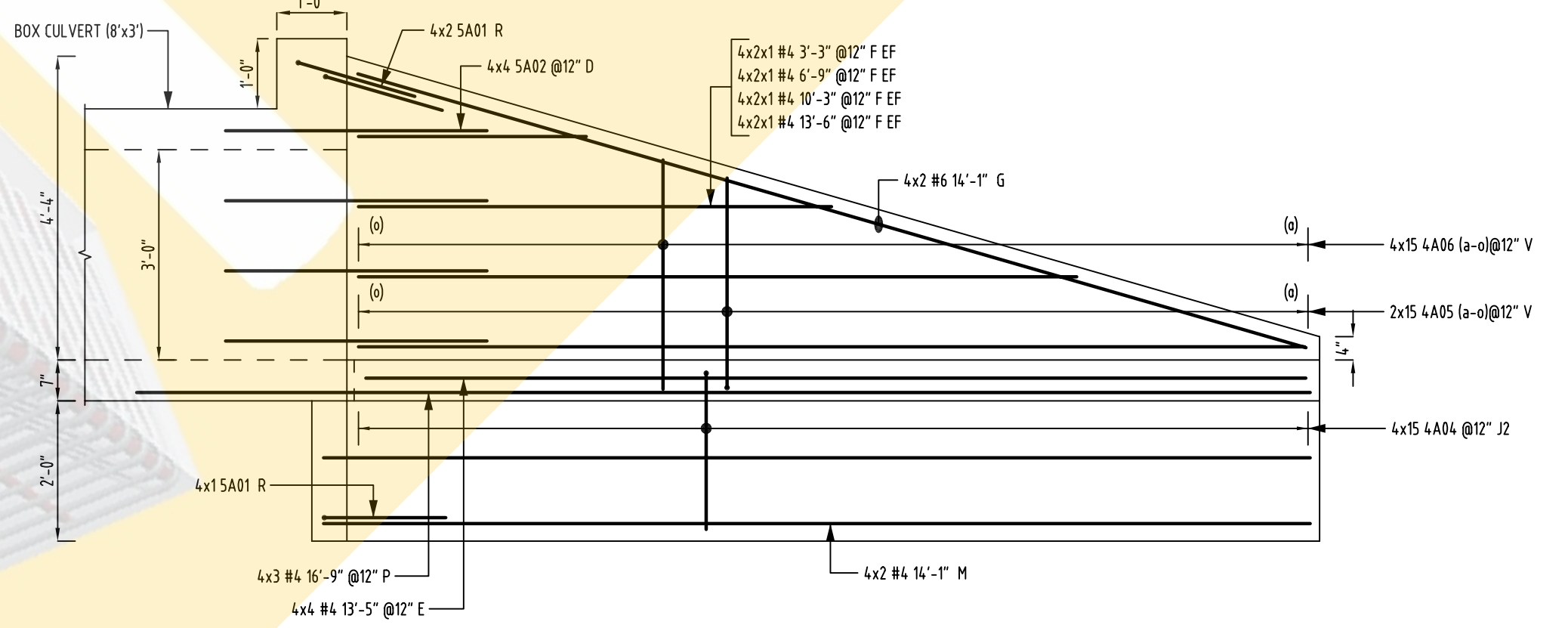
BOX CULVERT STANDARD = SCC-384  
 WINGWALL STANDARD = FW-0  
**CULVERT REBAR LAYOUT - STATION 71+76**  
 SCALE: 1/4"=1'-0"  
 SDR: 2 OF 8



**ELEVATION B**  
 SCALE: 1/2"=1'-0"  
 SDR: FW-0  
 (A-LOC)

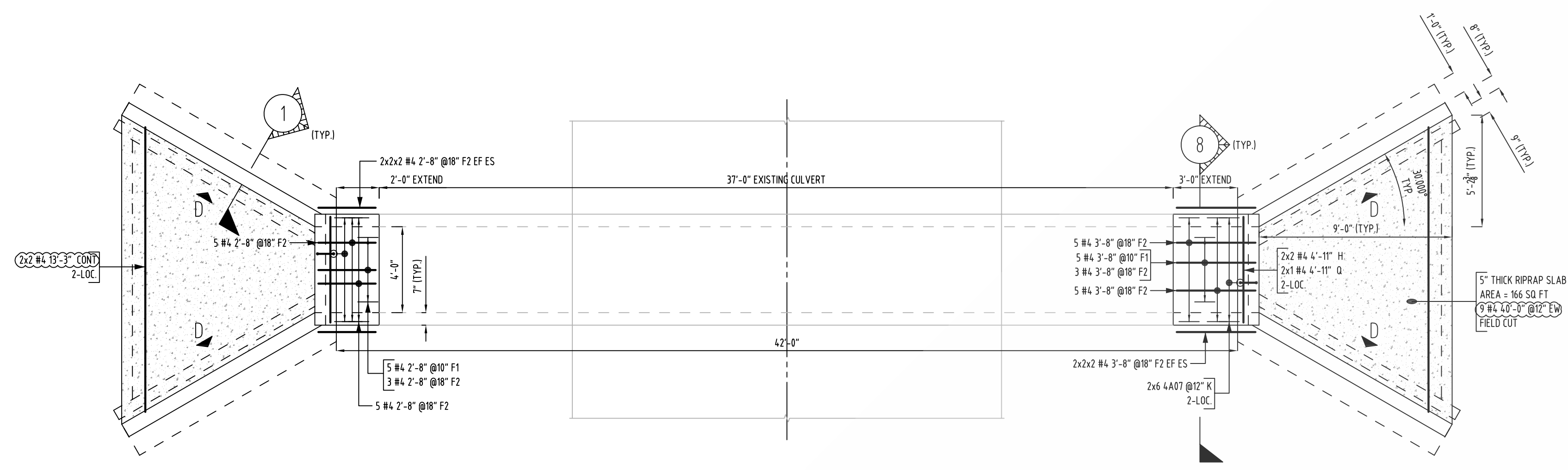


BOX CULVERT STANDARD = SCC-8  
 WINGWALL STANDARD = FW-0  
**CULVERT REBAR LAYOUT - STATION 94+08**  
 SCALE: 1/4"=1'-0"  
 SDR: 3 OF 8

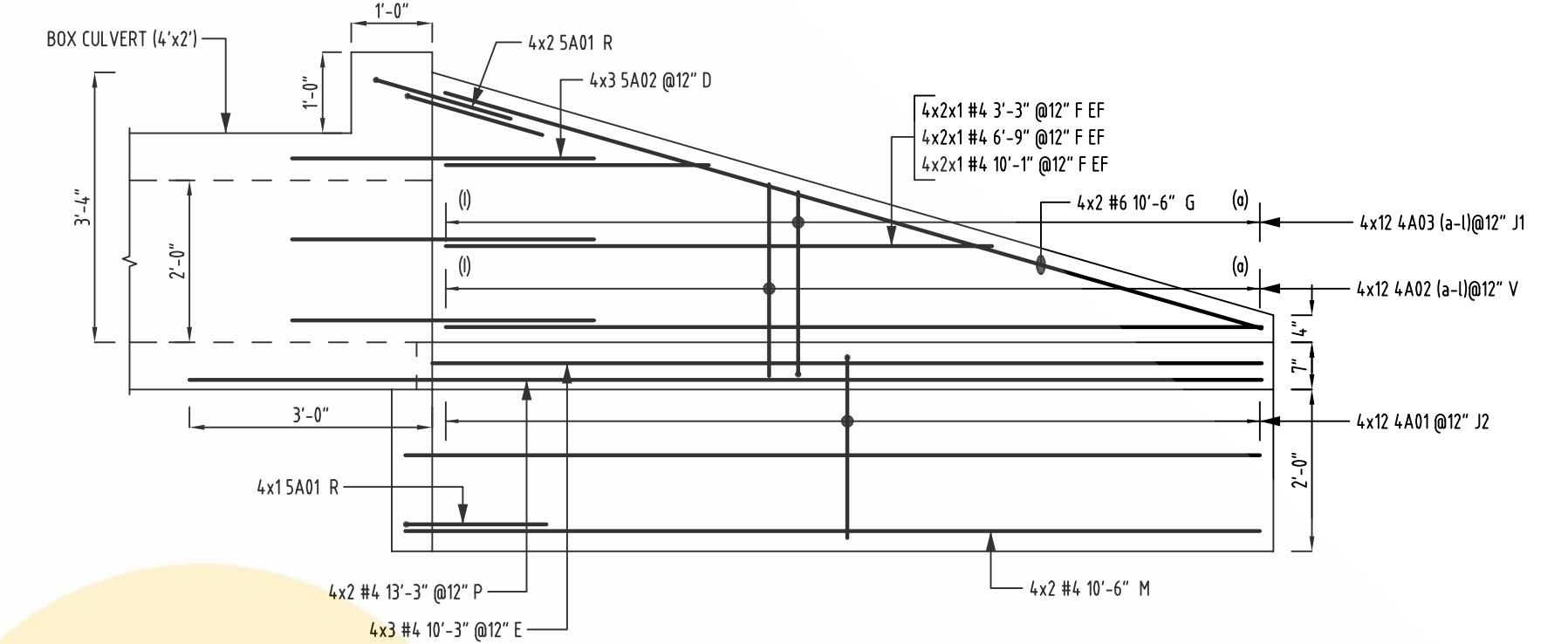


**ELEVATION C**  
 SCALE: 1/2"=1'-0"  
 SDR: FW-0  
 (A-LOC)

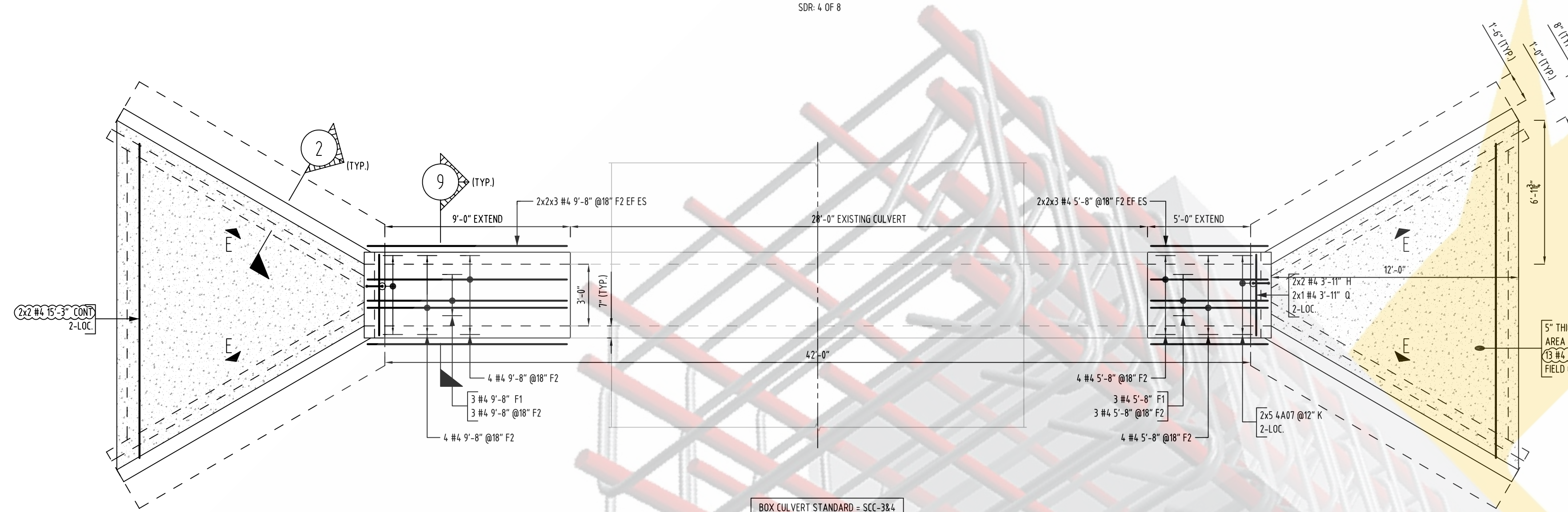
ONCE REBAR SERVICES



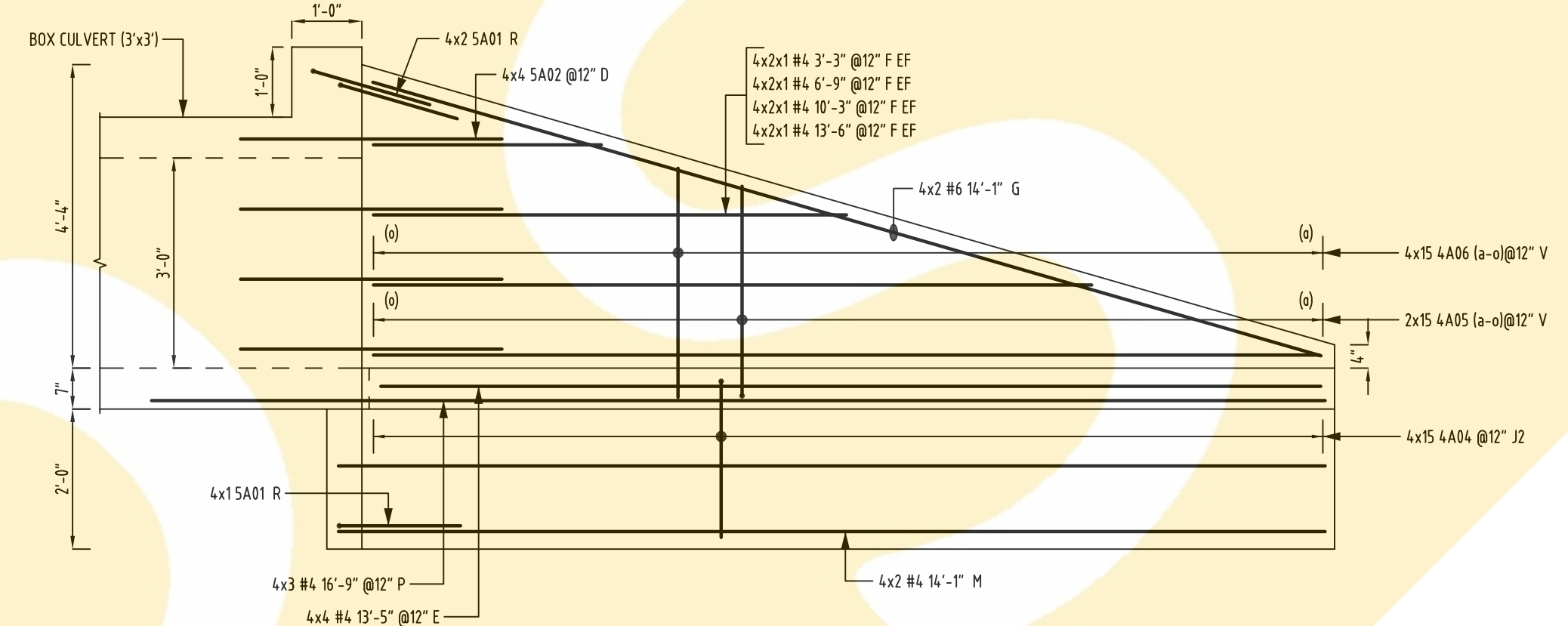
BOX CULVERT STANDARD = SCC-384  
WINGWALL STANDARD = FW-0  
**CULVERT REBAR LAYOUT - STATION 123+33**  
SCALE: 1/4"=1'-0"  
SDR: 4 OF 8



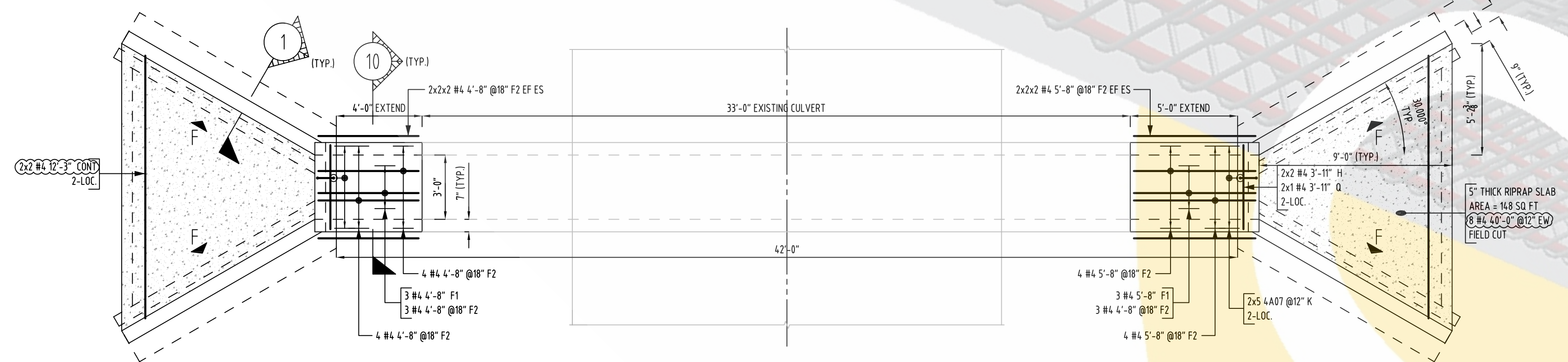
**ELEVATION D**  
SCALE: 1/2"=1'-0"  
SDR: FW-0  
(4-LOC)



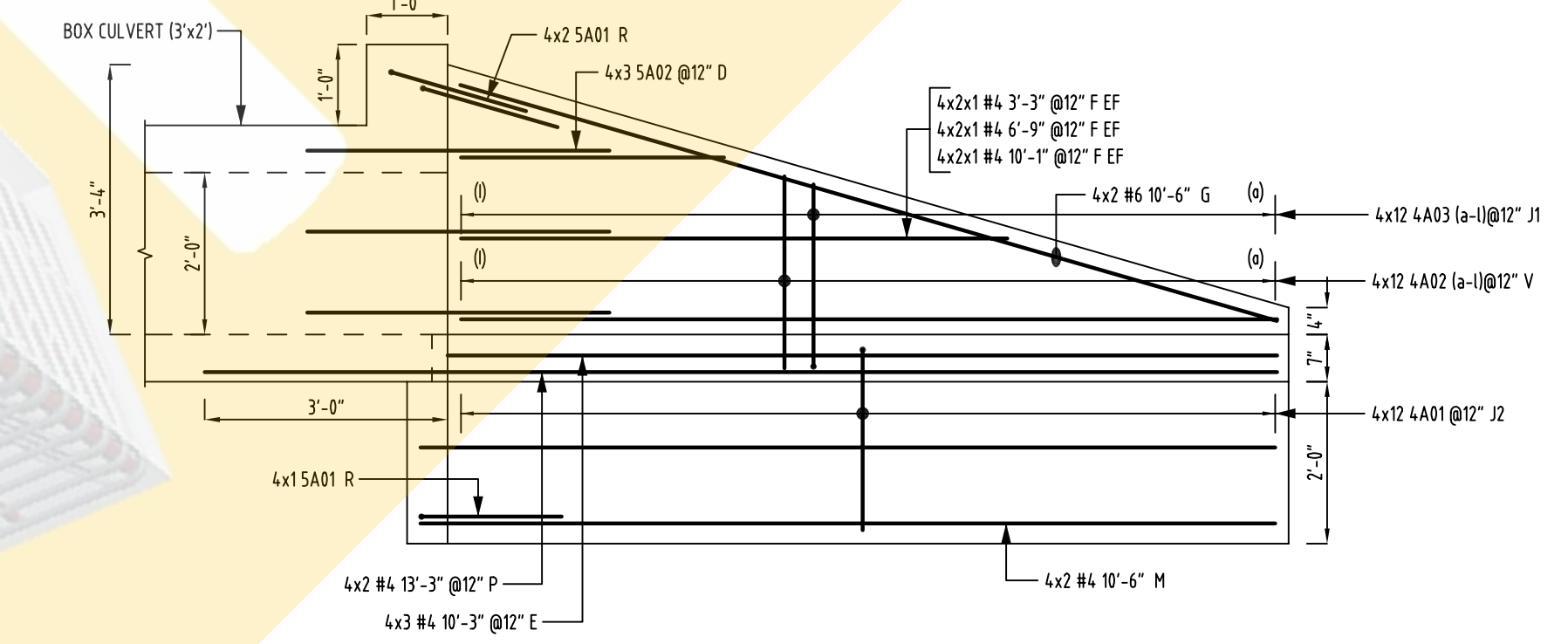
BOX CULVERT STANDARD = SCC-384  
WINGWALL STANDARD = FW-0  
**CULVERT REBAR LAYOUT - STATION 181+14**  
SCALE: 1/4"=1'-0"  
SDR: 5 OF 8



**ELEVATION E**  
SCALE: 1/2"=1'-0"  
SDR: FW-0  
(4-LOC)

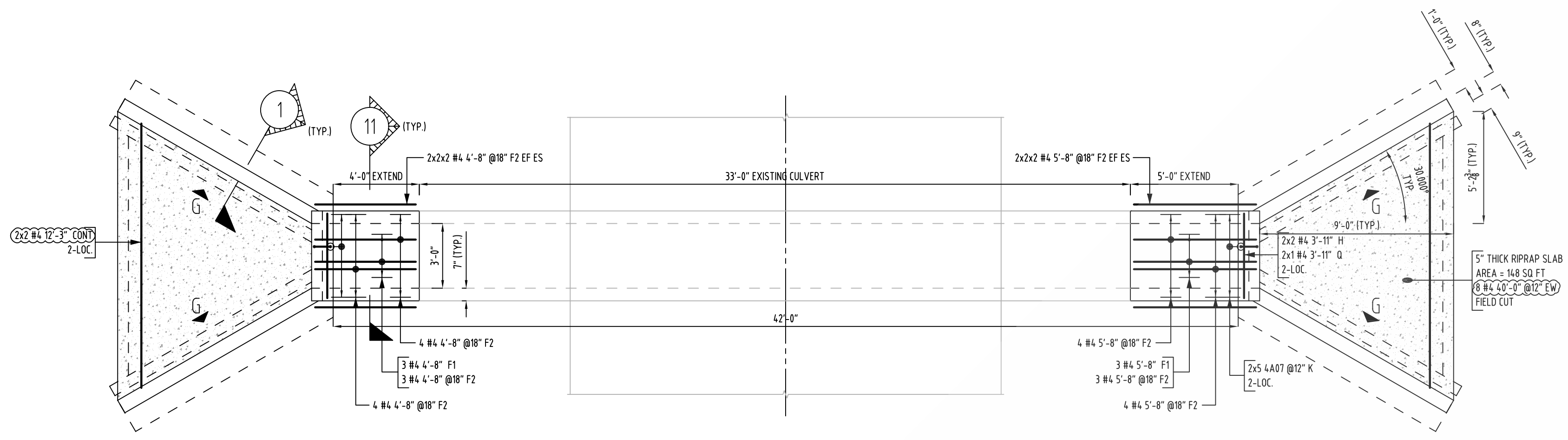


BOX CULVERT STANDARD = SCC-384  
WINGWALL STANDARD = FW-0  
**CULVERT REBAR LAYOUT - STATION 198+45**  
SCALE: 1/4"=1'-0"  
SDR: 6 OF 8



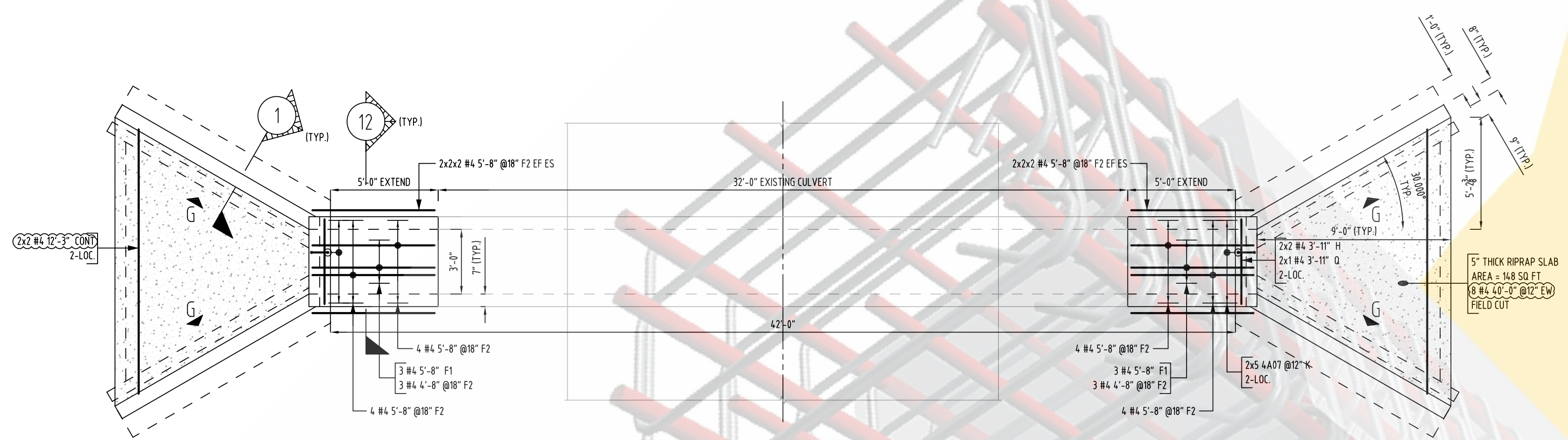
**ELEVATION F**  
SCALE: 1/2"=1'-0"  
SDR: FW-0  
(4-LOC)

# ONCE REBAR SERVICES



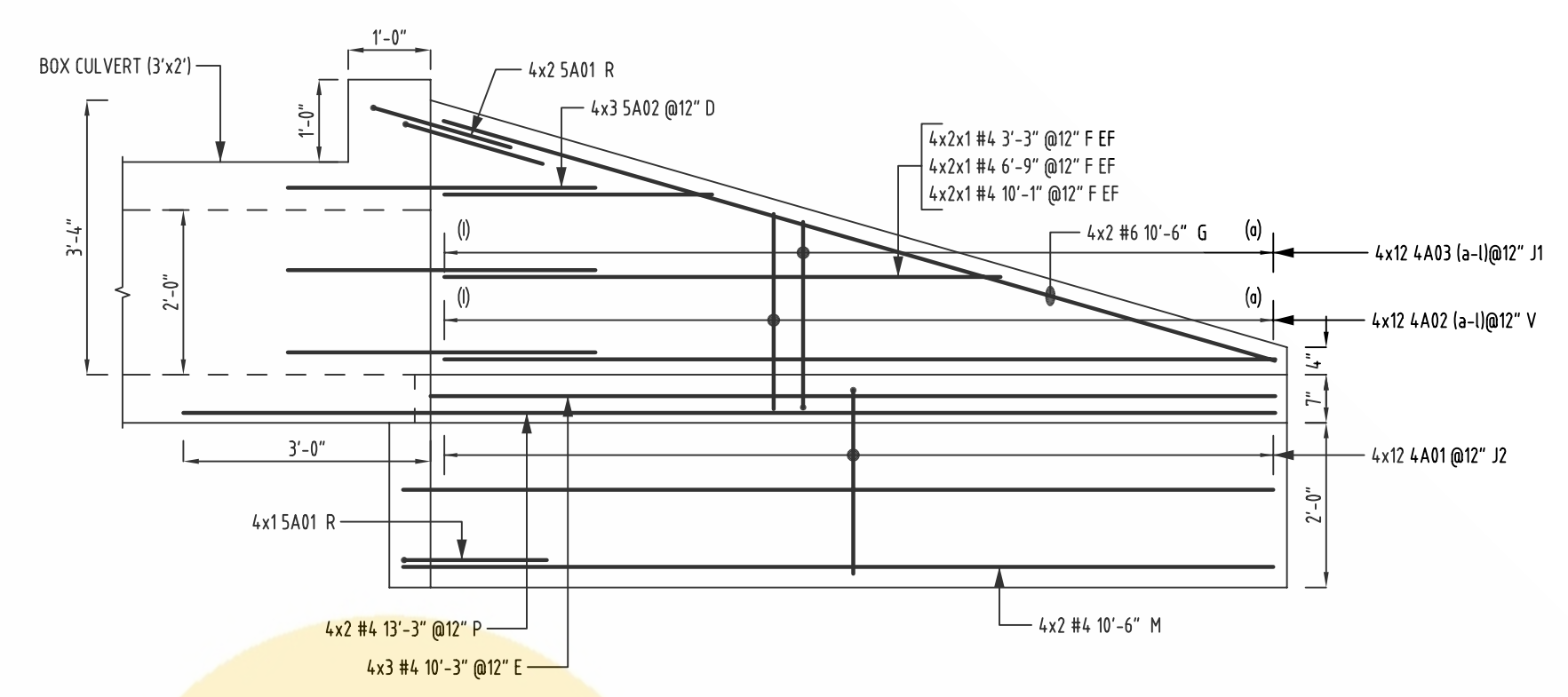
BOX CULVERT STANDARD = SCC-384  
WINGWALL STANDARD = FW-0

CULVERT REBAR LAYOUT - STATION 206+47  
SCALE: 1/4"=1'-0"  
SDR: 7 OF 8

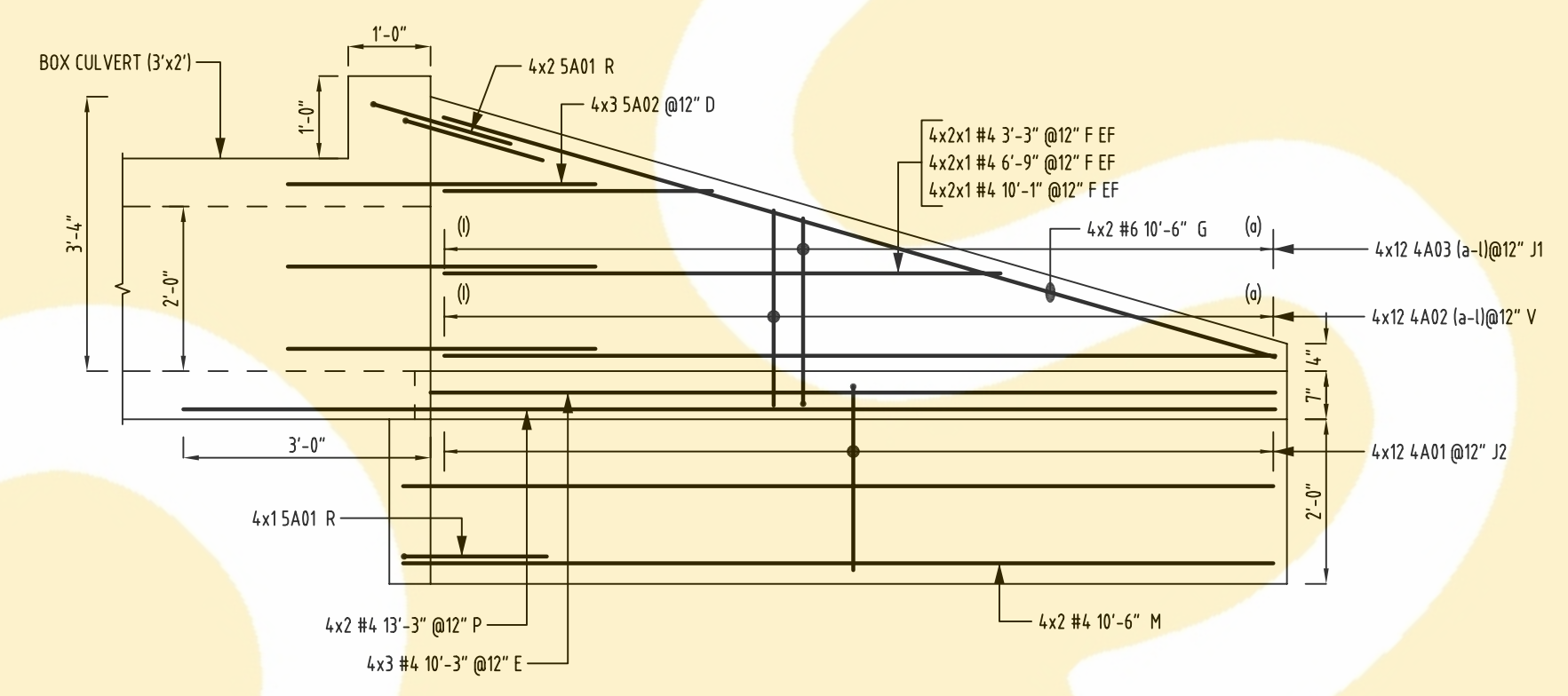


BOX CULVERT STANDARD = SCC-384  
WINGWALL STANDARD = FW-0

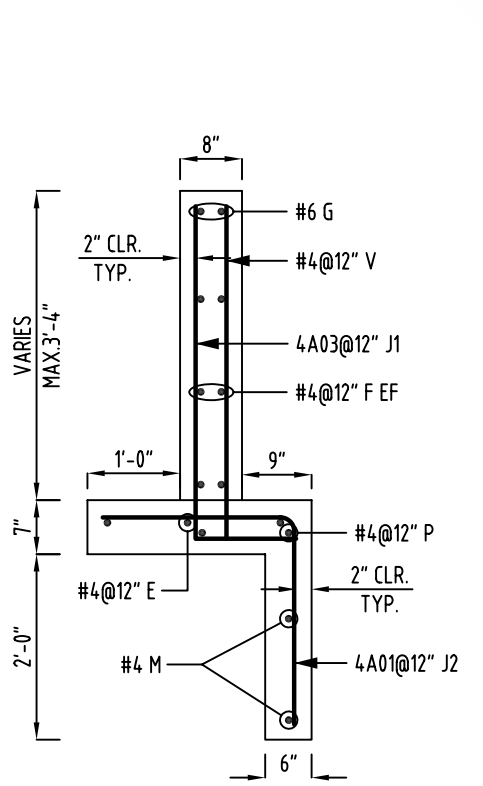
CULVERT REBAR LAYOUT - STATION 236+61  
SCALE: 1/4"=1'-0"  
SDR: 8 OF 8



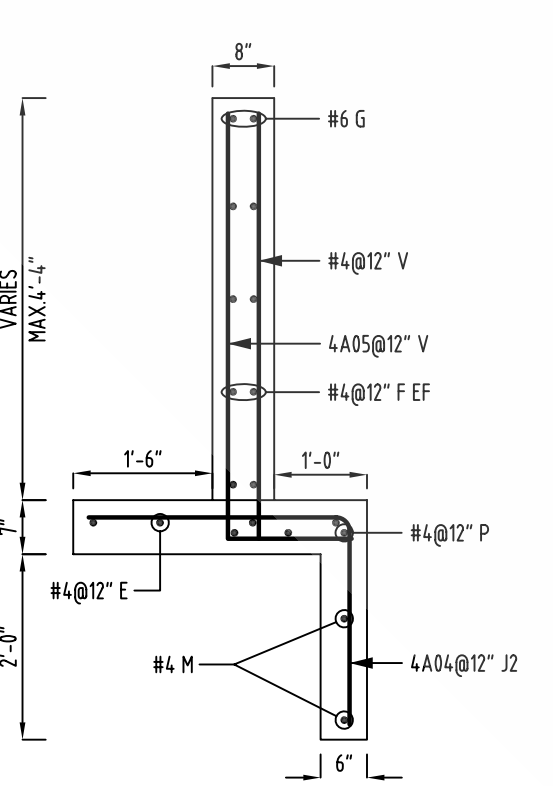
ELEVATION G  
SCALE: 1/2"=1'-0"  
SDR: FW-0  
(4-LOC)



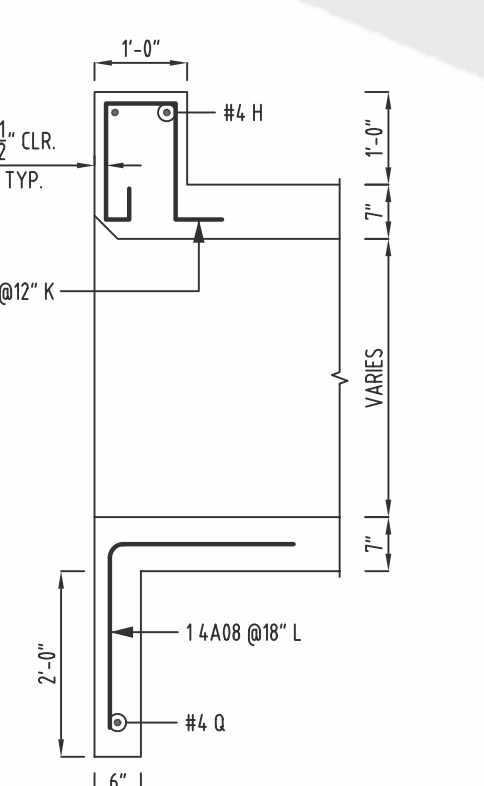
ELEVATION H  
SCALE: 1/2"=1'-0"  
SDR: FW-0  
(4-LOC)



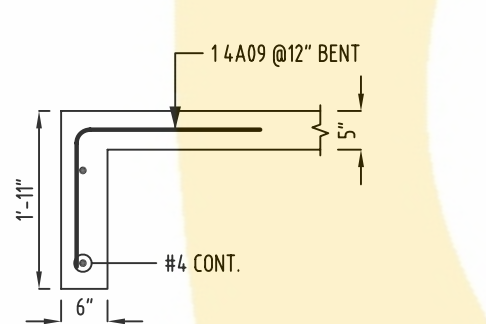
SECTION 1  
SCALE: 1/2"=1'-0"  
SDR: FW-0



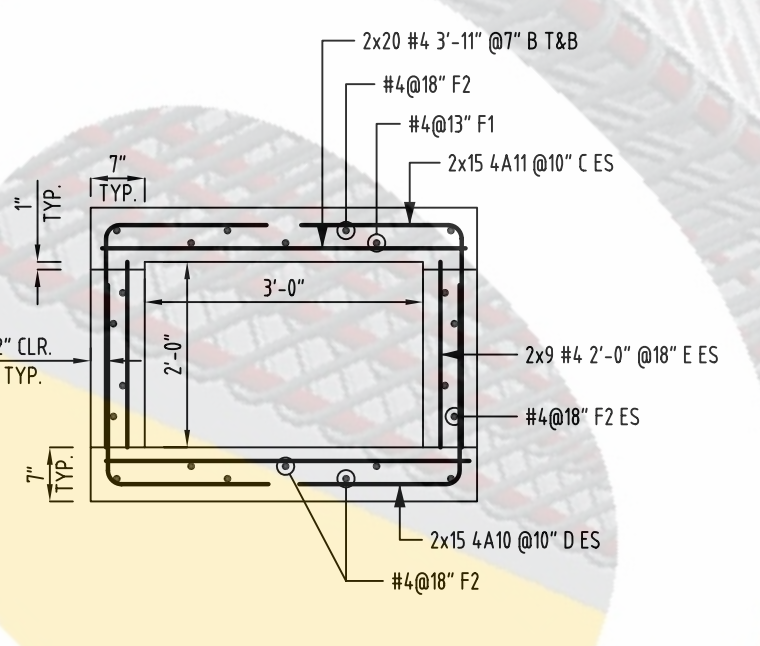
SECTION 2  
SCALE: 1/2"=1'-0"  
SDR: FW-0



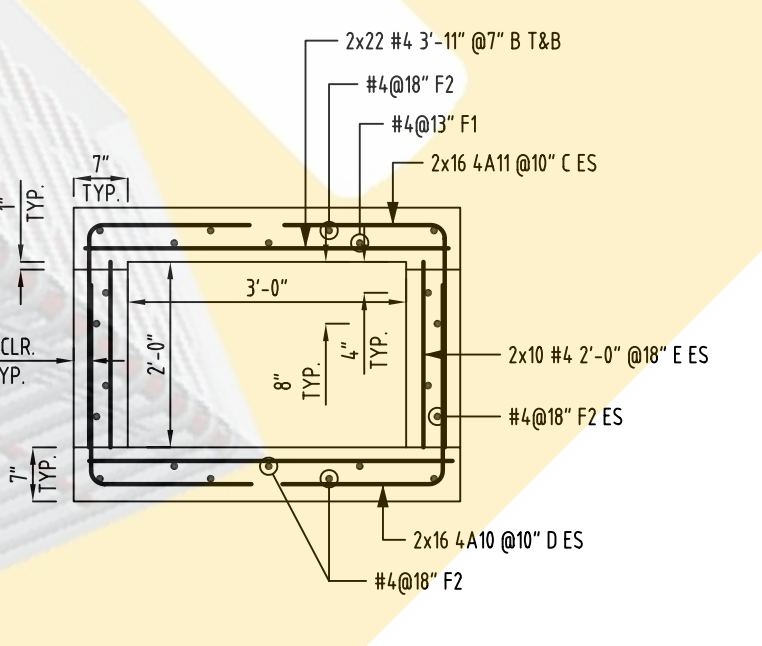
SECTION 3  
SCALE: 1/2"=1'-0"  
SDR: SCC-3 & 4



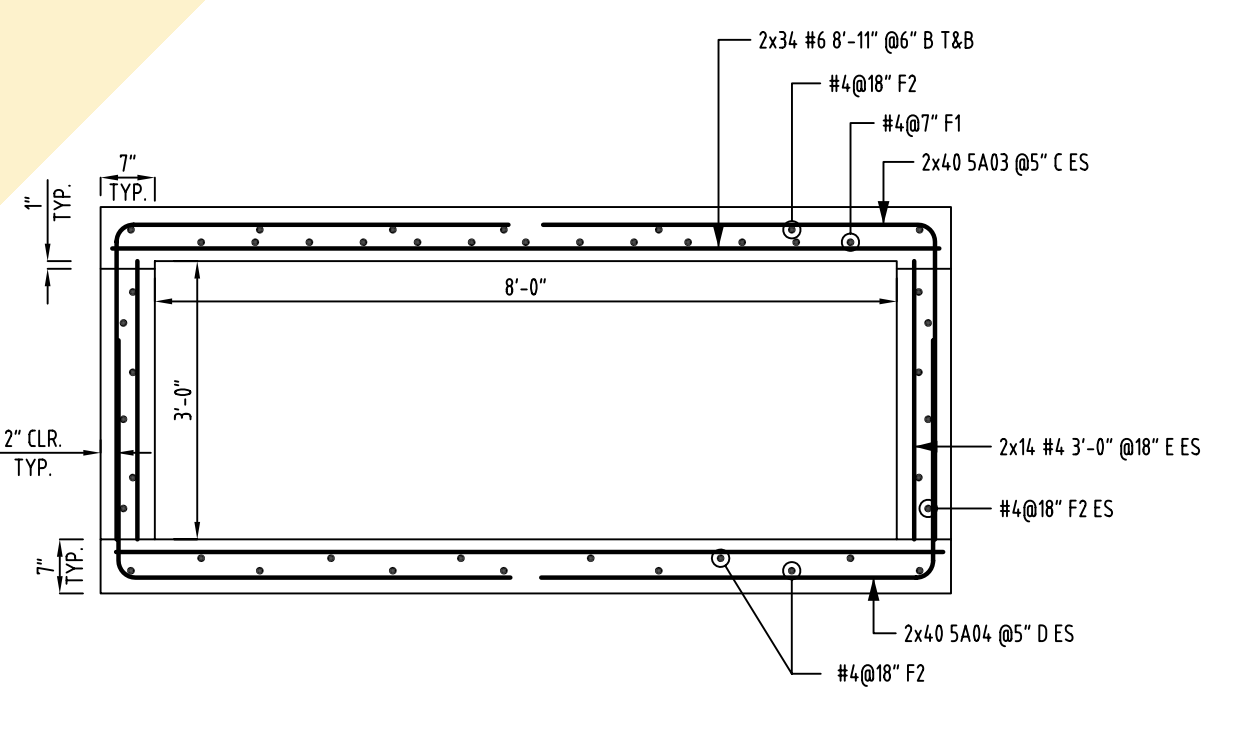
SECTION 4  
SCALE: 1/2"=1'-0"  
SDR: FW-0



SECTION 5  
SCALE: 1/2"=1'-0"  
SDR: SCC-3 & 4

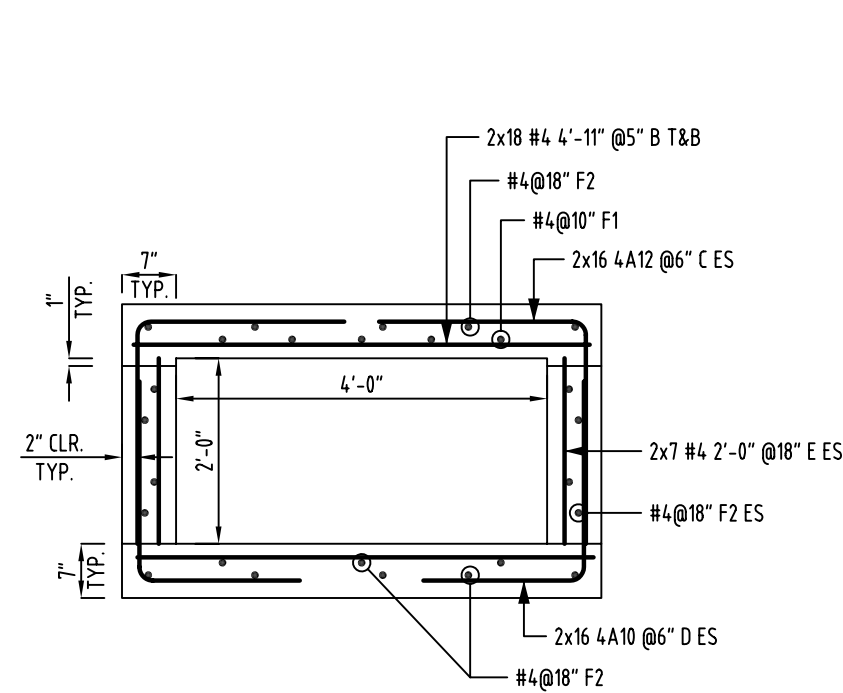


SECTION 6  
SCALE: 1/2"=1'-0"  
SDR: SCC-3 & 4

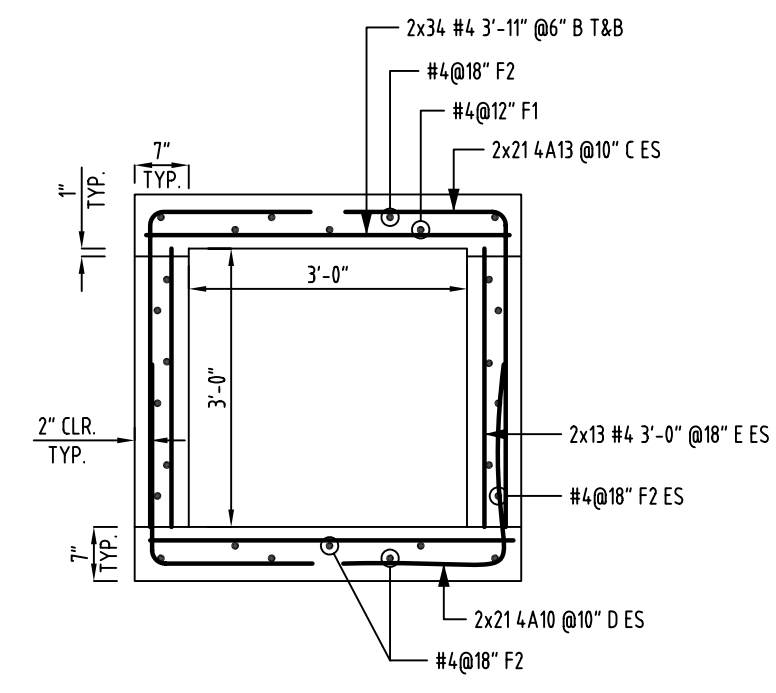


SECTION 7  
SCALE: 1/2"=1'-0"  
SDR: SCC-8

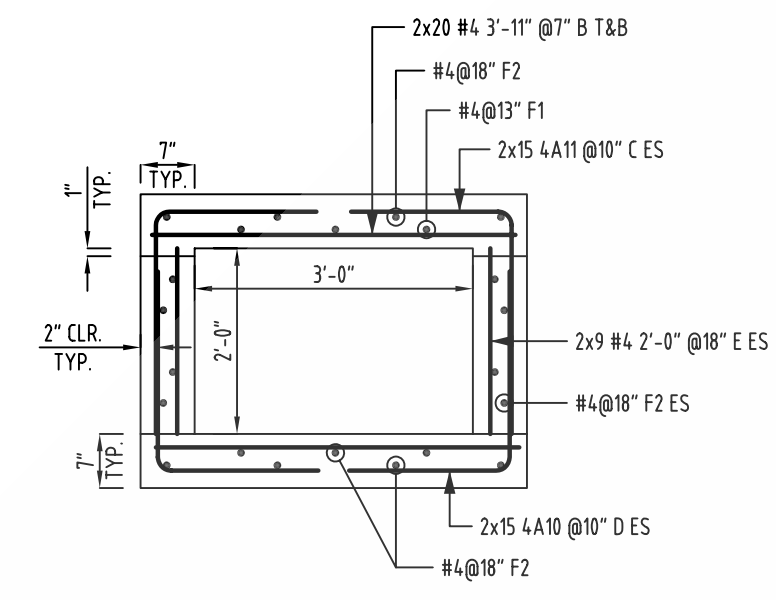
ONCE REBAR SERVICES



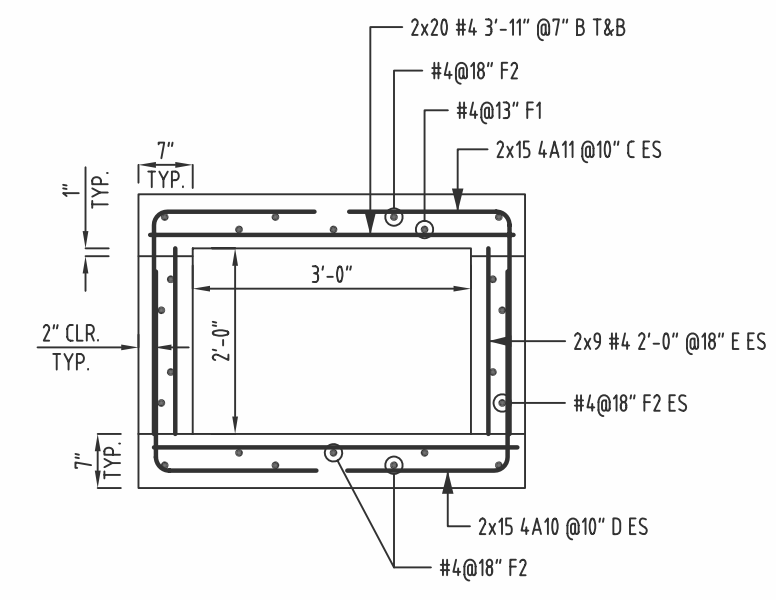
BOX CULVERT-(4x21)  
 SECTION 8  
 SCALE: 1/2"=1'-0"  
 SDR: SCC-3 & 4



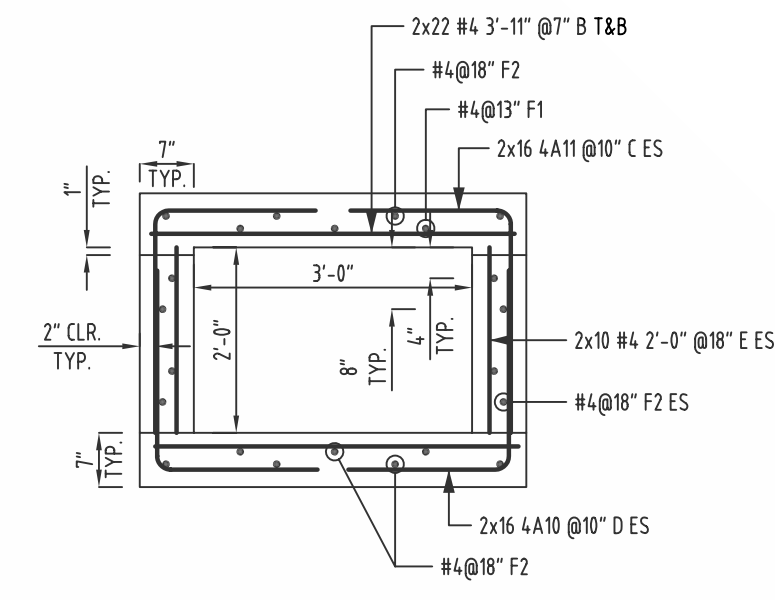
BOX CULVERT-(3x31)  
 SECTION 9  
 SCALE: 1/2"=1'-0"  
 SDR: SCC-3 & 4



BOX CULVERT-(3x27)  
 SECTION 10  
 SCALE: 1/2"=1'-0"  
 SDR: SCC-3 & 4



BOX CULVERT-(3x27)  
 SECTION 11  
 SCALE: 1/2"=1'-0"  
 SDR: SCC-3 & 4

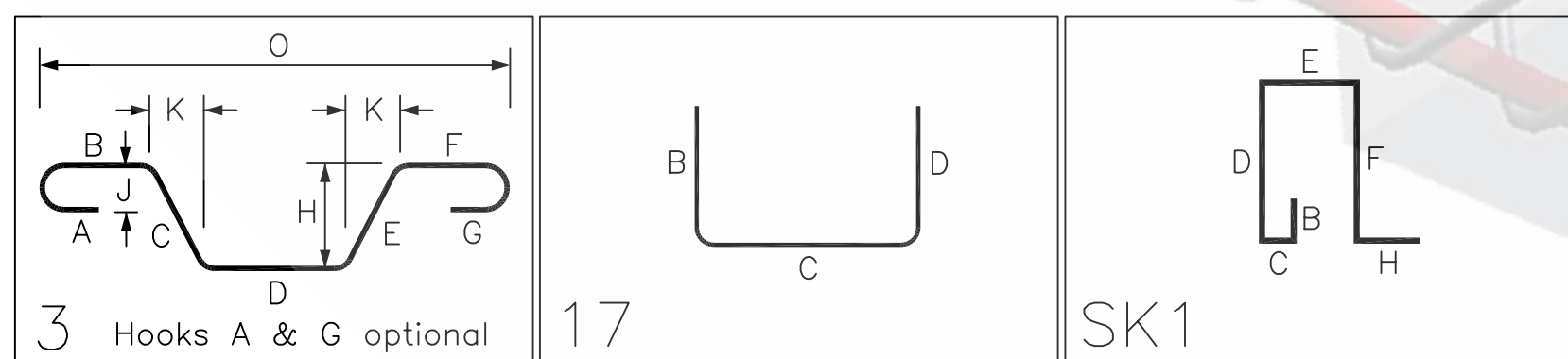


BOX CULVERT-(3x27)  
 SECTION 12  
 SCALE: 1/2"=1'-0"  
 SDR: SCC-3 & 4

Release Number: R1.01-R1.04

BENDING DETAILS																
Bar Mark	Qty	Size	Total Length	Type	'A'	'B'	'C'	'D'	'E'	'F'	'G'	'H'	'J'	'K'	'O'	'R'
4A01	288	#4	4'-4"	17		2'-1"	2'-3"									
4A02a	24	#4	0'-8"			0'-8"										
Varies To																
4A02i	24	#4	3'-6"			3'-6"										
4A03a	24	#4	1'-9"	17		1'-1"	0'-8"									
Varies To																
4A03i	24	#4	4'-7"	17		1'-1"	3'-6"									
4A04	120	#4	5'-1"	17		2'-3"	2'-10"									
4A05a	4	#4	2'-0"	17		1'-4"	0'-8"									
Varies To																
4A05o	4	#4	5'-10"	17		1'-4"	4'-6"									
4A06a	8	#4	0'-8"			0'-8"										
Varies To																
4A06o	8	#4	4'-6"			4'-6"										
4A07	92	#4	4'-4"	SK1		0'-4"	0'-3"	1'-3"	0'-9"	1'-3"		0'-6"				
4A08	1	#4	4'-0"	17		2'-0"	2'-0"									
4A09	1	#4	3'-6"	17		1'-6"	2'-0"									
4A10	228	#4	3'-11"	17		1'-9"	2'-2"									
4A11	154	#4	4'-2"	17		1'-9"	2'-5"									
4A12	32	#4	4'-8"	17		2'-3"	2'-5"									
4A13	42	#4	5'-2"	17		1'-9"	3'-5"									
5A01	96	#5	3'-11 3/4"	3		2'-0"	1'-11 3/4"			1'-9"		0'-11 3/4"	2'-11 3/4"			
5A02	104	#5	3'-11 3/4"	3		2'-0"	1'-11 3/4"			1'-0 1/2"		1'-8 3/4"	3'-8 3/4"			
5A03	80	#5	7'-8"	17		3'-5"	4'-3"									
5A04	80	#5	6'-10"	17		2'-7"	4'-3"									

ACCESSORIES			
ELEMENTS	DESCRIPTION	SQ.FT/LFT\NOS	NOS/LFT
5" THICK RIPRAP SLAB	2" PLASTIC PAVING CHAIRS @48" O.C	1,503 SQ.FT	95 NOS
7" THICK CULVERT TOP SLAB	2" PLASTIC PAVING CHAIRS @48" O.C	487 SQ.FT	35 NOS
7" THICK CULVERT BOT. SLAB	2" PLASTIC PAVING CHAIRS @48" O.C	487 SQ.FT	35 NOS
7" THICK CULVERT TOP SLAB	4" PLASTIC PAVING CHAIRS @48" O.C	487 SQ.FT	35 NOS
7" THICK CULVERT BOT. SLAB	4" PLASTIC PAVING CHAIRS @48" O.C	487 SQ.FT	35 NOS



ONCE REBAR SERVICES